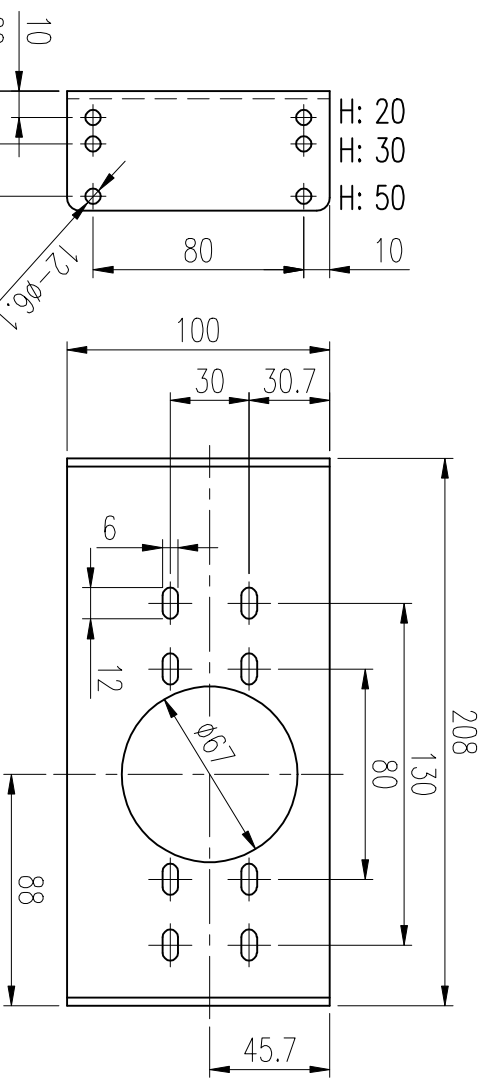
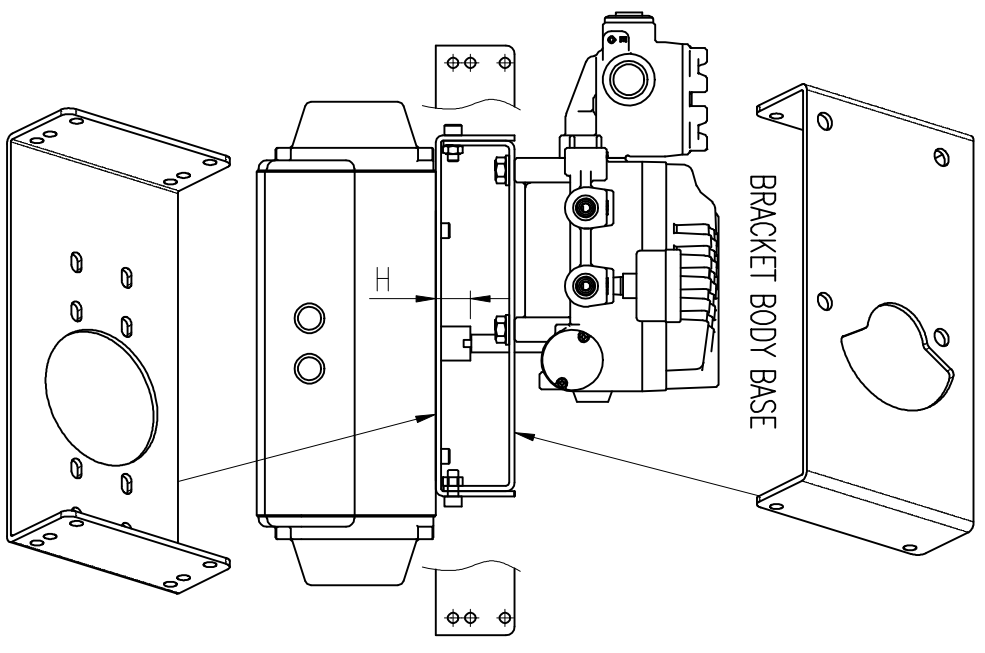
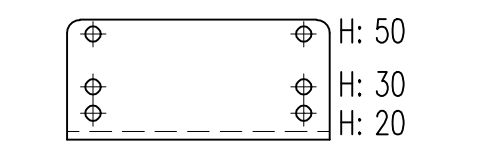


BRACKET BODY BASE



BRACKET ACTUATOR



REV. NO.	REVISION DESCRIPTION	DRAWN / DATE	REVIEWED / DATE	APPROVED / DATE
Δ	ISSUED FOR APPROVAL	HSS/050607		
Δ	REVISION	KCH/111109		
Δ	REVISION	MDK/121109		

SURFACE TEXTURE		PRODUCT NAME		PROJECT NAME	
FINISH TREATMENT		BRACKET SERIES		-	
MATERIAL		MODEL		TITLE	
OTHERWISE NOTE		YF-1000R		YF-1000R BRACKET SERIES	
GENERAL TOLERANCE		PRODUCTION		DRAWING NO.	
QUANTITY		3rd		-	
SHEET No.		SCALE		REV.	
1 / 1		1 / 2		2	

1 2 3 4 5 6 7

YTC-A3