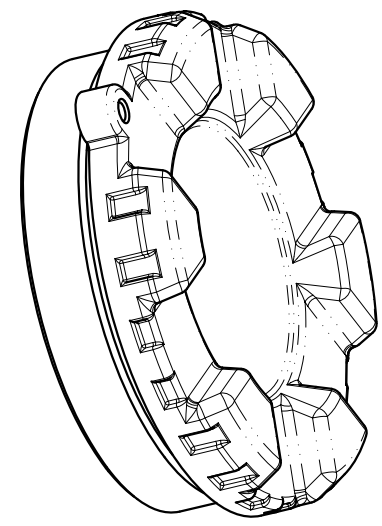
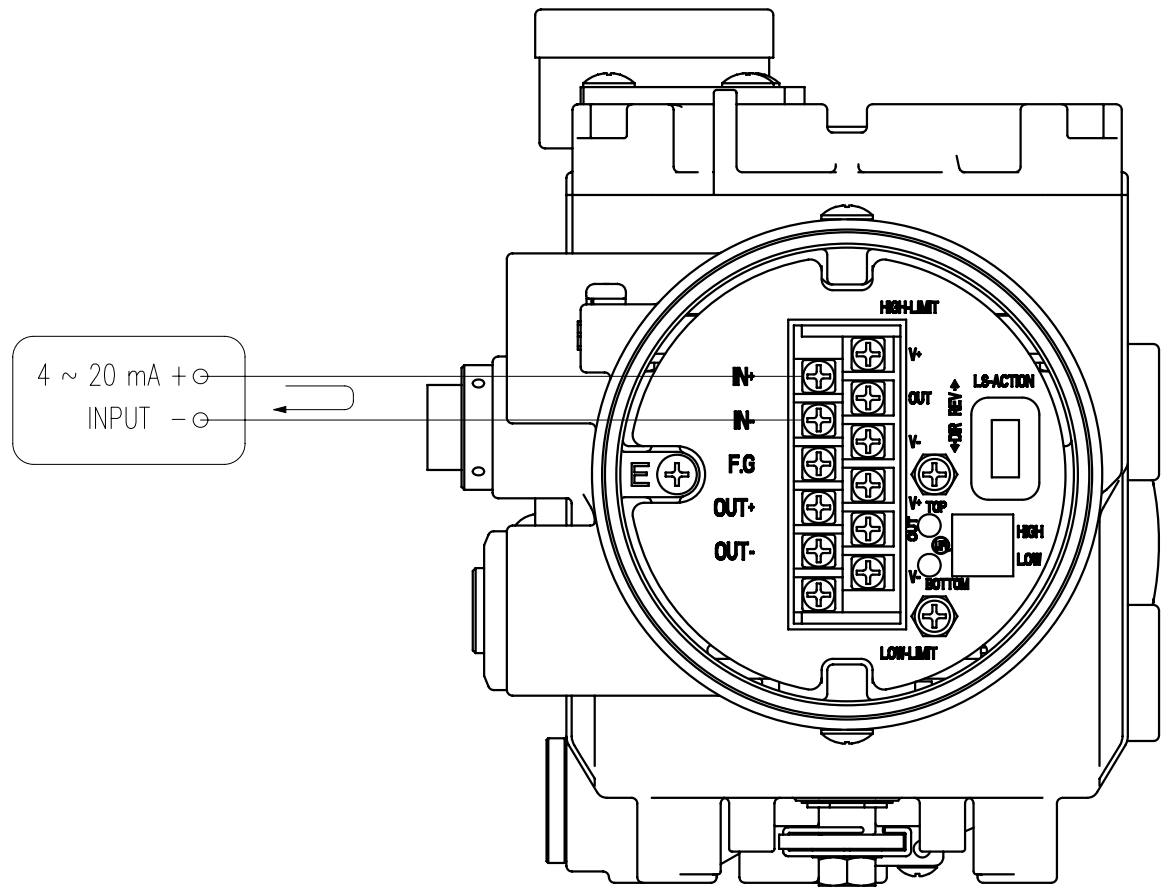



| REV.NO. | REVISION DESCRIPTION | DRAWN / DATE | REVIEWED / DATE | APPROVED / DATE |
|---------|----------------------|--------------|-----------------|-----------------|
| △0 | First Issued | KCH/111010 | JJS/111010 | LYH/111010 |
| △1 | | | | |



PROJECT NAME -

| | | | | | |
|------------------|-------------------|---|-----------|--|------------------|
| SURFACE TEXTURE | | PRODUCT NAME SMART POSITIONER | |  YOUNG TECH CO., LTD. <small>SEOUL, KOREA</small> | |
| FINISH TREATMENT | | MODEL YT-2600 | | | |
| MATERIAL | | PROJECTION | SCALE | TITLE YT-2600 WIRING DIAGRAM | |
| OTHERWISE NOTE | GENERAL TOLERANCE | QUANTITY | SHEET No. | DRAWING NO. 2600-01 | REV. 0 |