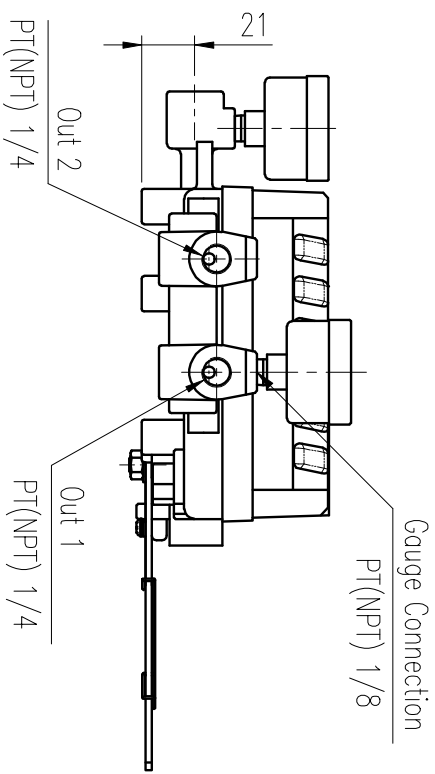
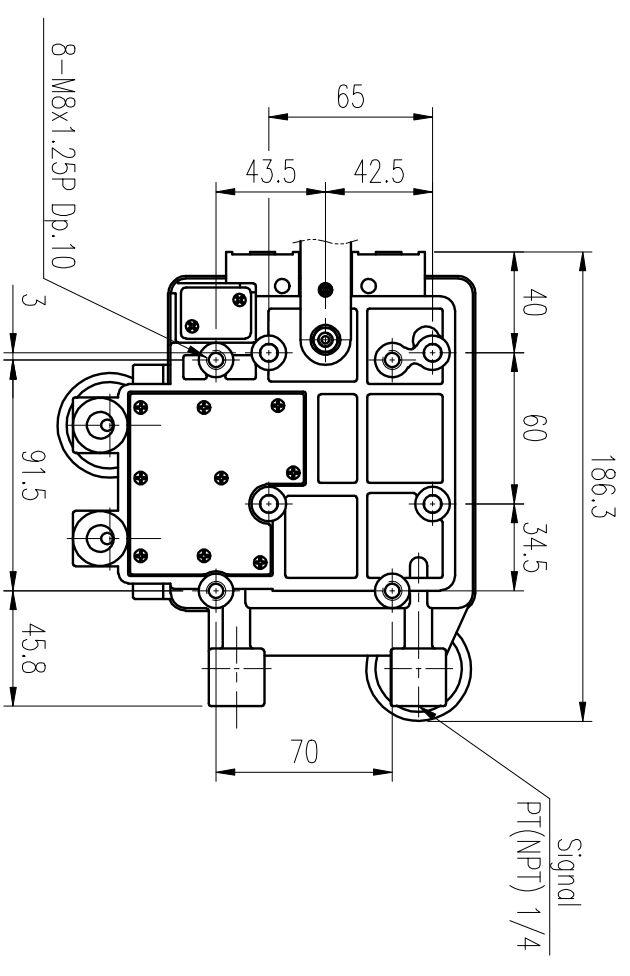
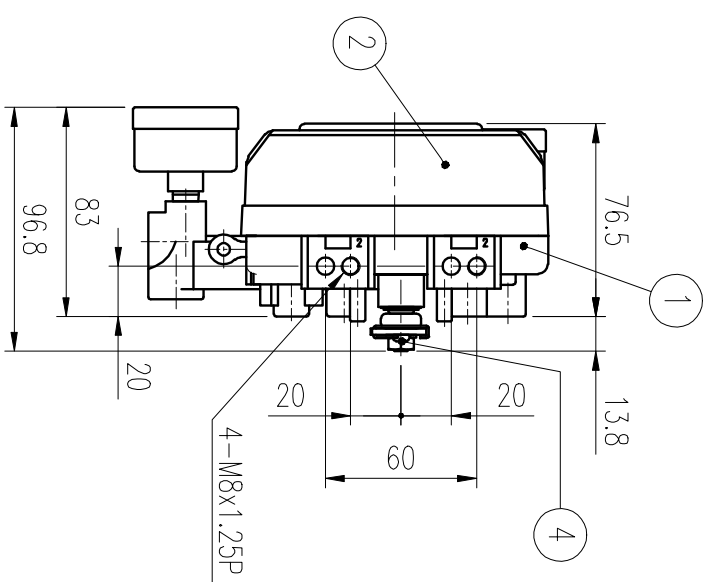
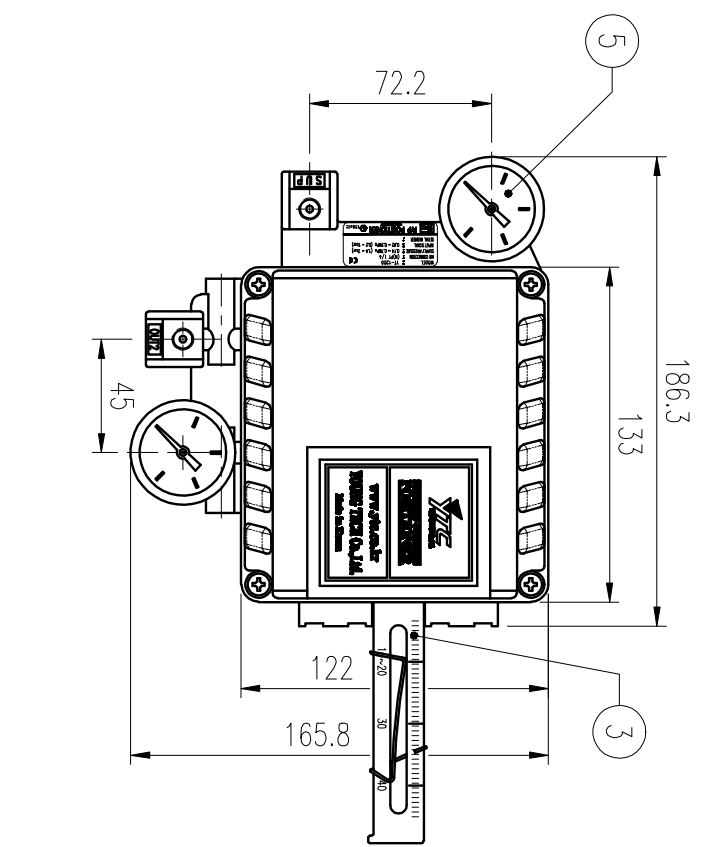


REV. NO.	REVISION DESCRIPTION	DRAWN / DATE	REVIEWED / DATE	APPROVED / DATE
△	DRAWING ARRANGEMENT	HSS/080305	JCS/080305	LYH/080305
△	DRAWING ARRANGEMENT	LJS/110425		

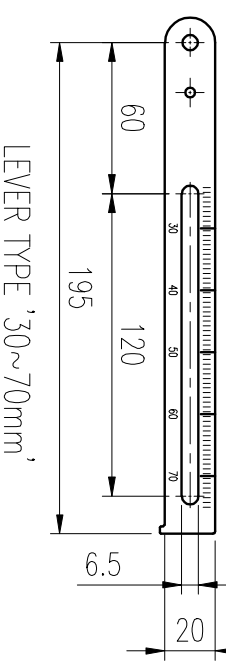
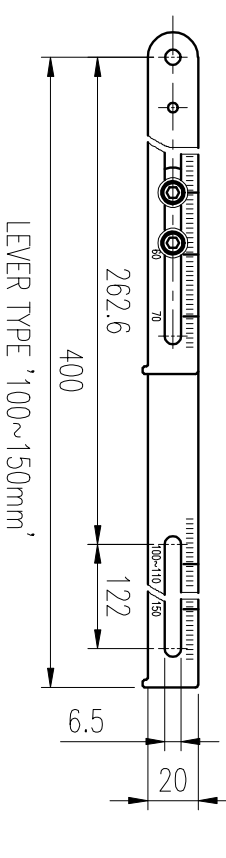
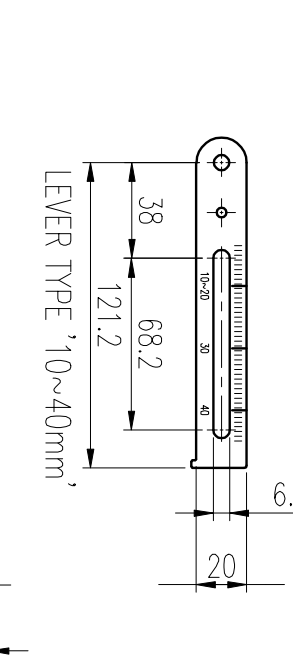
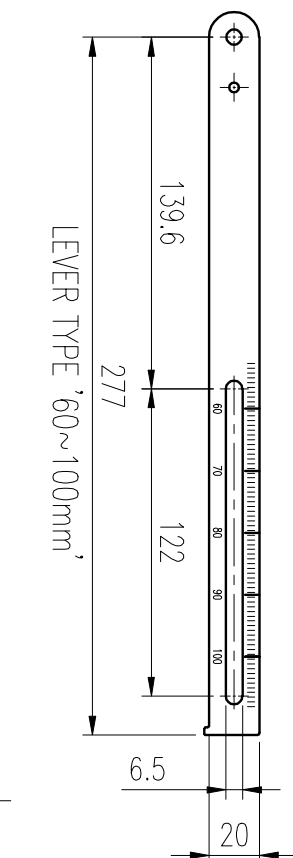


SPECIFICATIONS

Applicable Fluid	Air	Oil	Water	Other
Acting Type	<input type="checkbox"/> Single	<input type="checkbox"/> Double		
Input Signal	0.02 ~ 0.1MPa (0.2 ~ 1bar)			
Supply Pressure	0.14 ~ 0.7MPa (1.4 ~ 7bar)			
Stroke	10~150mm			
Protection	IP66			
Ambient Temp.	-20°C ~ 70°C (-4°F ~ 158°F)			
Linearity	±1% F.S.	±2% F.S.		
Hysteresis	±1.0% F.S.			
Sensitivity	±0.2% F.S.	±0.5% F.S.		
Repeatability	±0.5% F.S.			
Air Connection	PT(NPT) 1/4			
Gauge Connection	PT(NPT) 1/8			
Pressure Gauge	Signal	PT(NPT) 1/8		
Output	0.2MPa			
	0.4MPa			
	0.8MPa			
Air Consumption	< 3 LPM (Sup.=0.14MPa, 1.4bar)			
Max. Flow Capacity	> 80 LPM (Sup.=0.14MPa, 1.4bar)			
Material	Aluminum Diecasting			
Weight	1.7kg (3.1lb)			
	<input type="checkbox"/> 10~40mm	<input type="checkbox"/> 30~70mm		
	<input type="checkbox"/> 60~100mm	<input type="checkbox"/> 100~150mm		

NO.	PART NAME	MATERIAL	QTY	REMARK
5	PRESSURE GAUGE	STS304	2	
4	MAIN SHAFT	STS303	1	
3	FEEDBACK LEVER	STS304	1	
2	COVER BASE	ALDC12	1	
1	BODY BASE	ALDC12	1	

NO.	PART NAME	MATERIAL	QTY	REMARK
1	BODY BASE	ALDC12	1	



SURFACE FINISH		PRODUCT NAME		TITLE	
FINISH TREATMENT	MODEL	P/P POSITIONER	YT-1200L	PNEUMATIC-PNEUMATIC LINEAR POSITIONER ASSY DWG(STANDARD)	
MATERIAL	PROJECTION	SCALE	1 / 3	DRAWING NO. YT-1200L (STANDARD)	
OTHERWISE NOTE	GENERAL TOLERANCE	QUANTITY	1	SHEET No.	1 / 1
				REV.	5