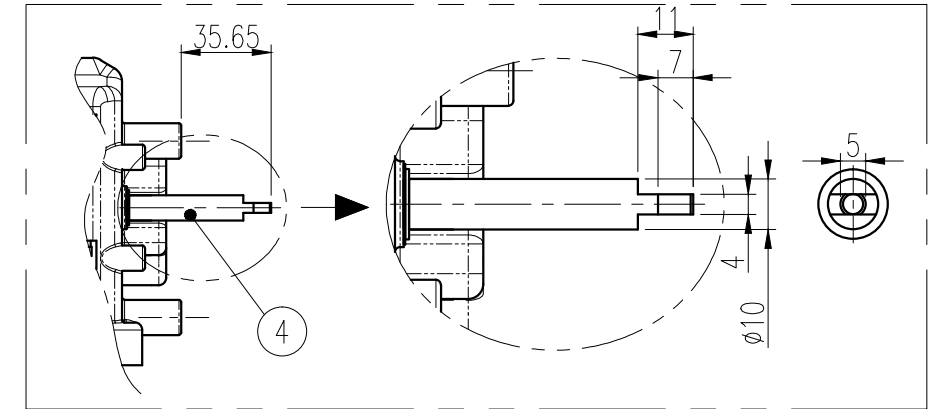


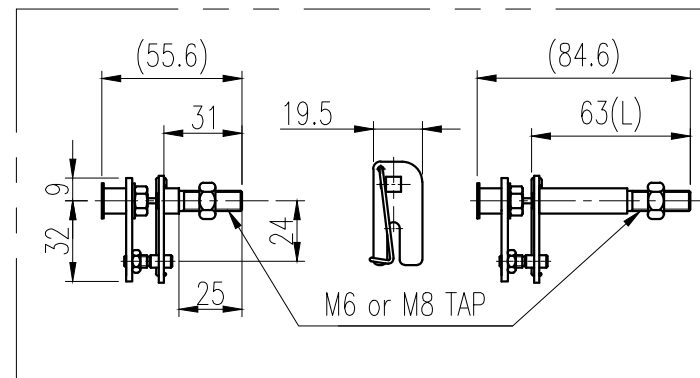
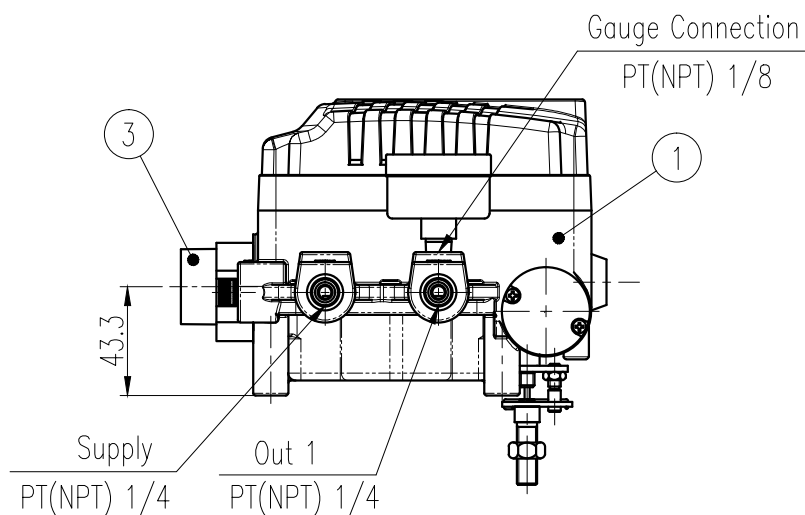
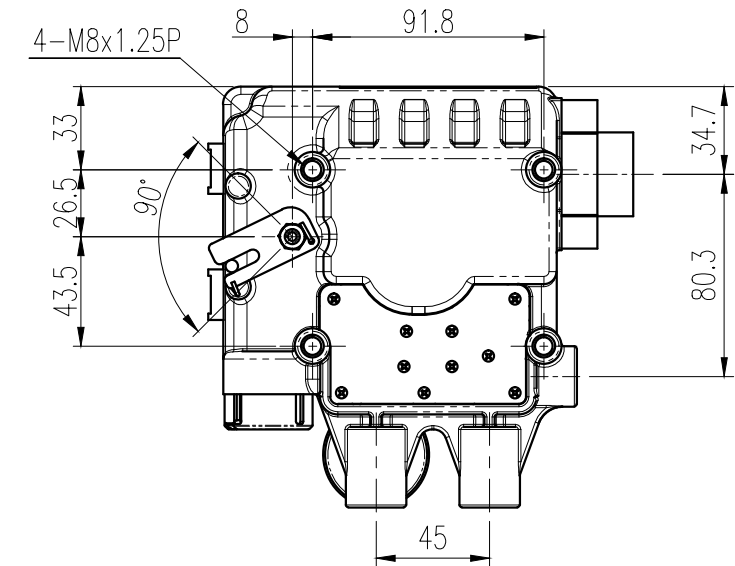
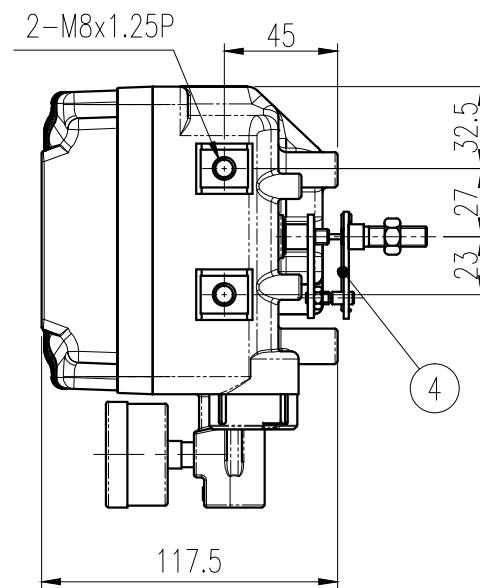
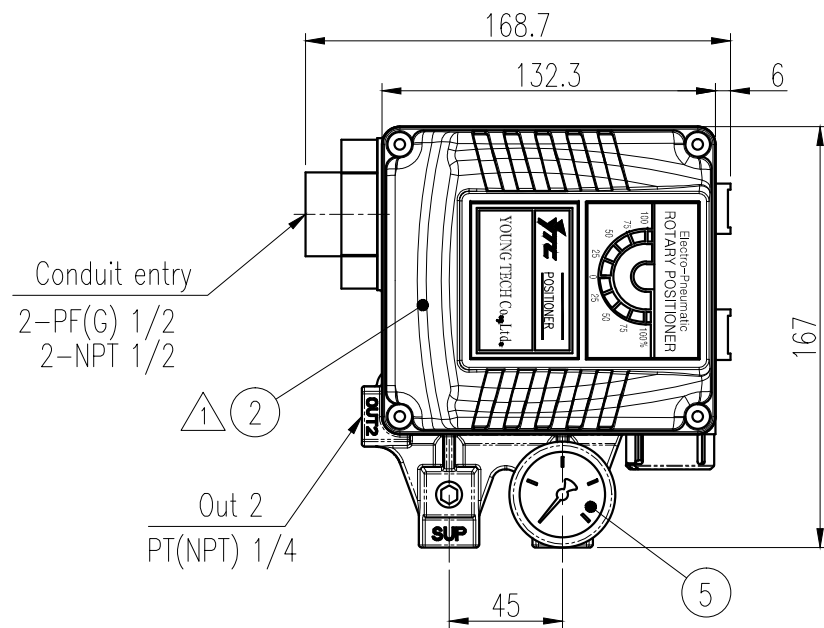
SPECIFICATIONS

Applicable Fluid	Air		Air Connection	PT(NPT) 1/4	
Acting Type	<input type="checkbox"/> Single	<input type="checkbox"/> Double	Gauge Connection	PT(NPT) 1/8	
Input Signal	4 ~ 20 mA DC		Conduit entry	PF 1/2 (G 1/2), NPT 1/2	
Impedance	250±15Ω		Explosion Proof	<input type="checkbox"/> Ex dm IIB T5	<input type="checkbox"/> Ex dm IIB T5(FM)
Supply Pressure	0.14 ~ 0.7MPa (1.4 ~ 7bar)			<input type="checkbox"/> Ex dm IIC T5	<input checked="" type="checkbox"/> Ex ia IIB T6
Stroke	0° ~ 90°		<input checked="" type="checkbox"/> Non-Explosion		
Pressure Gauge	<input type="checkbox"/> 0.4MPa	<input type="checkbox"/> 0.8MPa	Air Consumption	< 3 LPM (Sup.=0.14MPa, 1.4bar)	
Linearity	±1.0% F.S.		Flow Capacity	> 80 LPM (Sup.=0.14MPa, 1.4bar)	
Hysteresis	±1.0% F.S.		Protection	IP66	
Sensitivity	±0.2% F.S.		Weight	2.7kg (6.1lb)	
Repeatability	±0.5% F.S.		Lever Type	<input type="checkbox"/> M6	<input type="checkbox"/> L=34
Ambient Temp	Operation	-20°C ~ 70°C (-4 ~ 158°F)		<input type="checkbox"/> M8	<input type="checkbox"/> L=63
Temp	Explosion	-20°C ~ 60°C (-4 ~ 140°F)	Material	ALUMINUM DIECASTING	

REV.NO.	REVISION DESCRIPTION	DRAWN / DATE	REVIEWED / DATE	APPROVED / DATE
△	DRAWING ARRANGEMENT	KDH/110916	JCS/110916	LYH/110916
△	DRAWING ARRANGEMENT	OSS/120315	JCS/120315	LYH/120315



NAMUR SHAFT TYPE



FORK LEVER TYPE

NO.	PART NAME	MATERIAL	Q'TY	REMARK
5	PRESSURE GAUGE	STS 304	1	
4	CONNECT LEVER ASS'Y	STS 303, 304P	1	FORK LEVER, NAMUR
3	CONNECTOR IA	ALDC12	1	
2	COVER BASE	ALDC12	1	
1	BODY BASE	ALDC12	1	

SURFACE TEXTURE	PRODUCT NAME	E/P POSITIONER		YOUNG TECH CO., LTD. SEOUL, KOREA	
FINISH TREATMENT	MODEL	YT-1000R			
MATERIAL	PROJECTION	3rd	SCALE	TITLE	
OTHERWISE NOTE	GENERAL TOLERANCE	QUANTITY	1	1/3	ELECTRO PNEUMATIC ROTARY POSITIONER ASS'Y DWG (STANDARD)
		SHEET No.	1/1	DRAWING NO.	YT-1000R STANDARD
				REV.	0