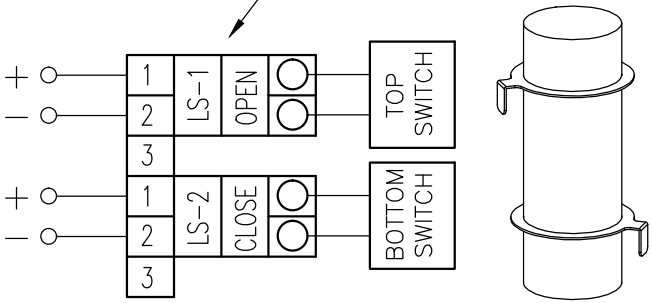
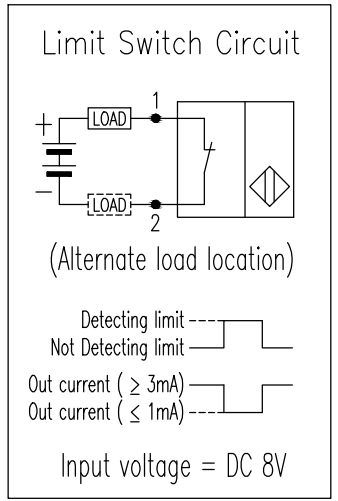
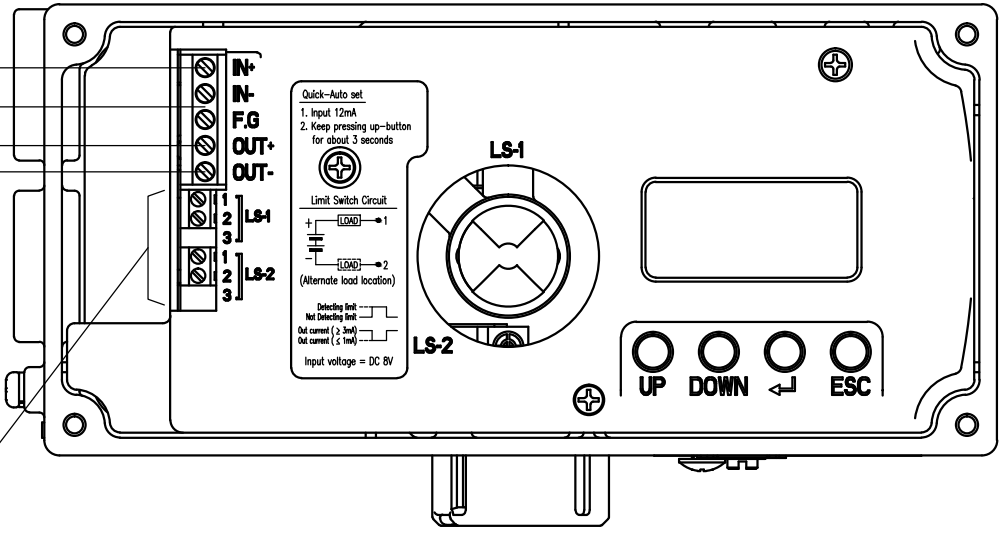
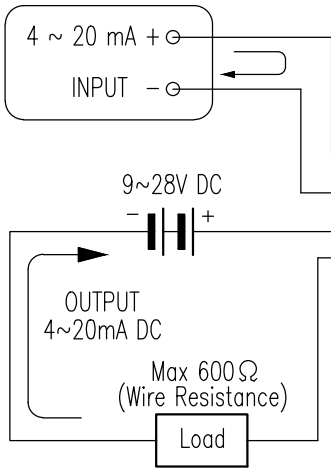


REV.NO.	REVISION DESCRIPTION	DRAWN / DATE	REVIEWED / DATE	APPROVED / DATE
△	First Issued	KCH/130125	JCS/130125	LYH/130125
△				



* P&F Proximity Sensor Spec.

Supply Voltage	DC 8V
Output Current	Not Detected : $\geq 3\text{mA}$, Detected : $\leq 1\text{mA}$
Type	Namur, NC

PROJECT NAME Proximity (P&F)

SURFACE TEXTURE		PRODUCT NAME SMART POSITIONER		YOUNG TECH CO., LTD. SEOUL, KOREA	
FINISH TREATMENT		MODEL YT-3300			
MATERIAL		PROJECTION	SCALE	TITLE YT-3300+Ptm+L/s (Internal) WIRING DIAGRAM	
OTHERWISE NOTE	GENERAL TOLERANCE	QUANTITY	SHEET No.		
				DRAWING NO.	REV.
				3300-07	1