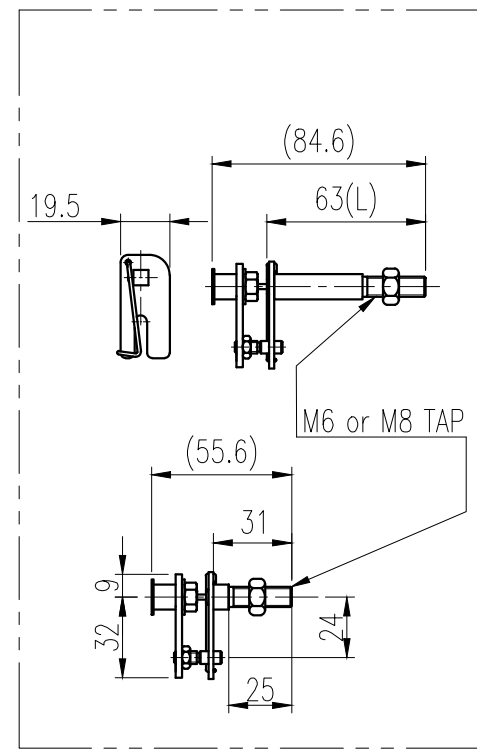
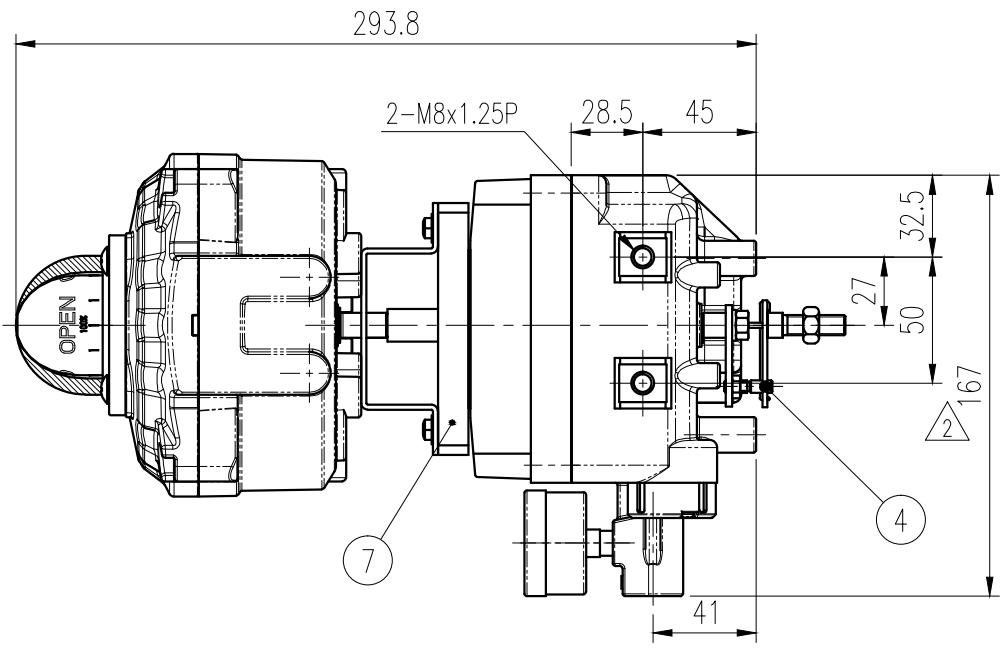
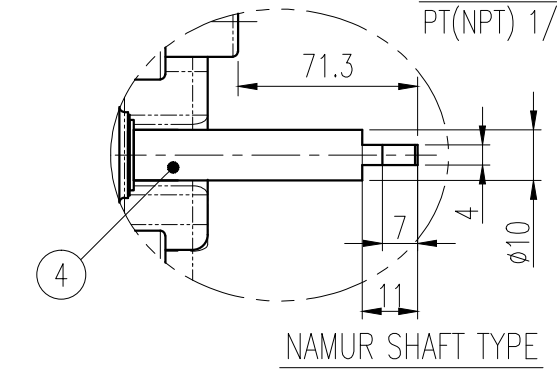
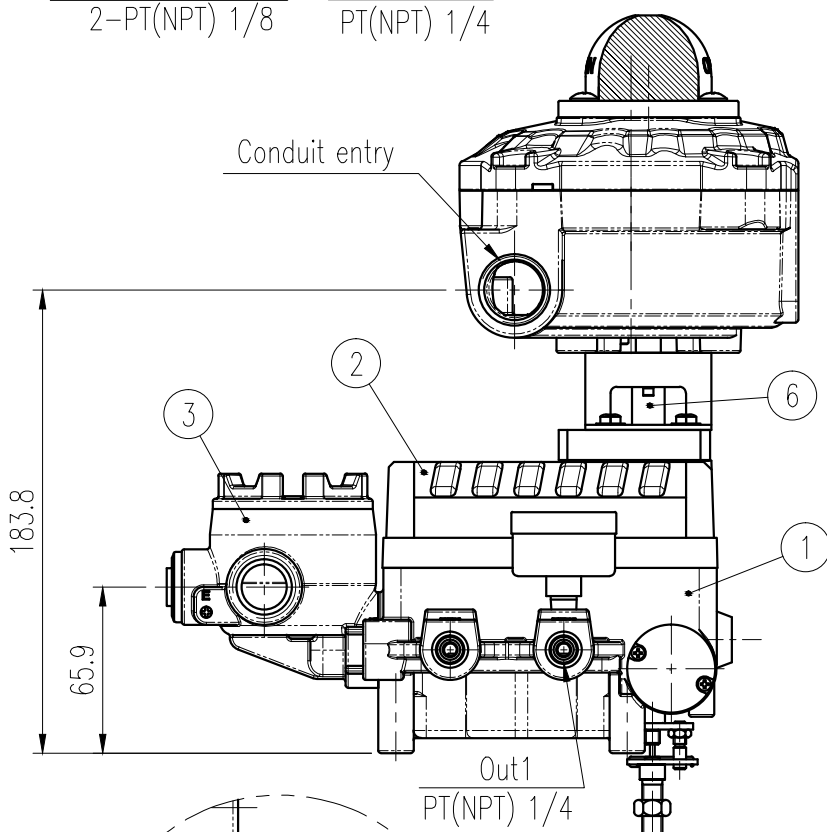
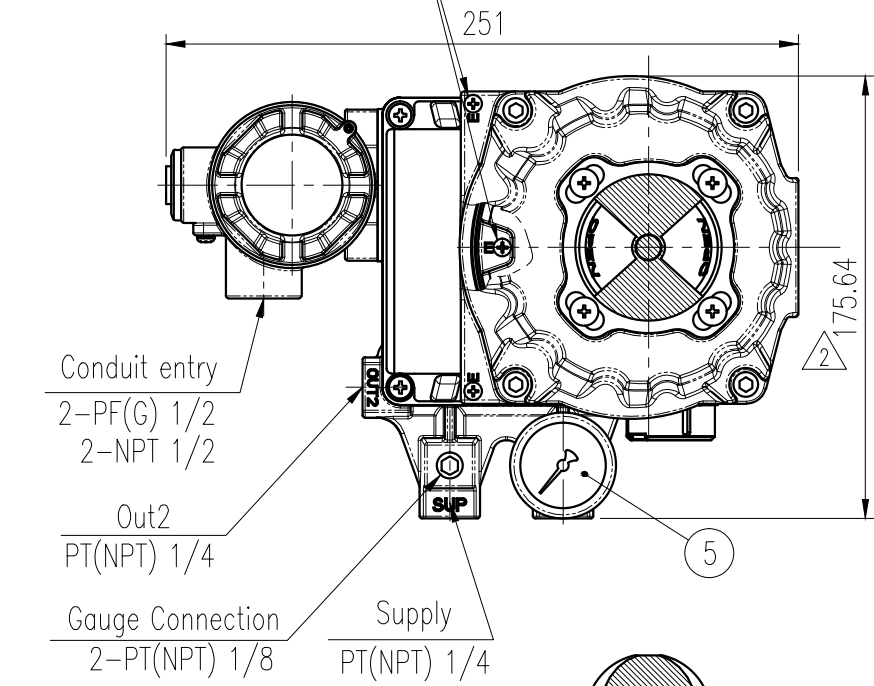
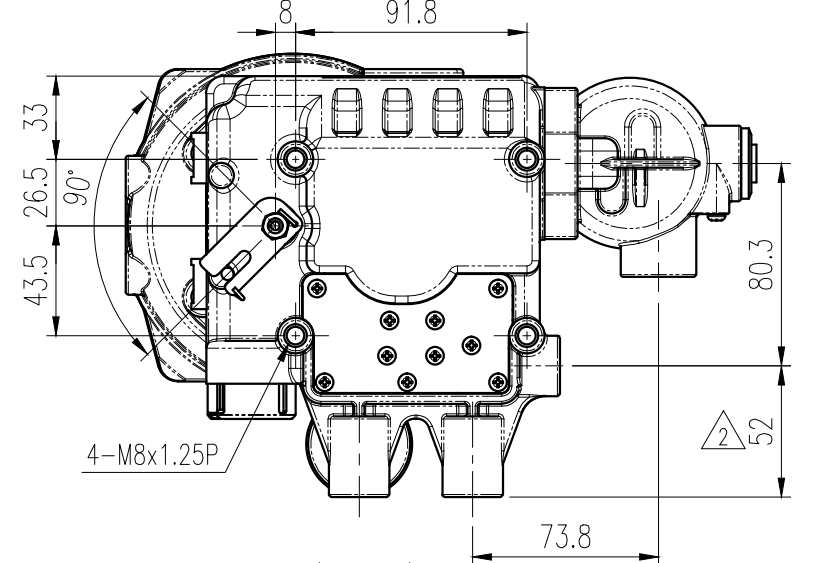


- Earth (External, Internal)
 1. Minimum Size Wire 1mm² or 18AWG.
 2. M4*5 0.7P Round Head Screw
 3. M4 Spring washer



| REV.NO. | REVISION DESCRIPTION | DRAWN / DATE | REVIEWED / DATE | APPROVED / DATE |
|---------|----------------------|--------------|-----------------|-----------------|
| △ | ISSUE FOR APPROVAL | JCS/100503 | | LYH/100503 |
| △ | DRAWING ARRANGEMENT | LJS/110415 | KCH/110415 | LYH/110415 |
| △ | DRAWING ARRANGEMENT | MDK/110812 | JCS/110812 | LYH/110812 |



SPECIFICATIONS

| | | |
|------------------|--|---|
| Applicable Fluid | Air | |
| Acting Type | <input type="checkbox"/> Single | <input type="checkbox"/> Double |
| Input Signal | 4 ~ 20 mA DC | |
| Impedance | 250±15 Ω | |
| Supply Pressure | 0.14 ~ 0.7MPa (1.4 ~ 7bar) | |
| Stroke | 0° ~ 90° | |
| Pressure Gauge | <input type="checkbox"/> 0.4MPa | <input type="checkbox"/> 0.8MPa |
| Linearity | ±1.0% F.S. | ±2.0% F.S. |
| Hysteresis | ±1.0% F.S. | |
| Sensitivity | ±0.2% F.S. | ±0.5% F.S. |
| Repeatability | ±0.5% F.S. | |
| Ambient Temp | Operation | -20°C ~ 70°C (-4 ~ 158°F) |
| | Explosion | -20°C ~ 60°C (-4 ~ 140°F) |
| Air Connection | PT(NPT) 1/4 | |
| Gauge Connection | PT(NPT) 1/8 | |
| Conduit entry | PF 1/2 (G 1/2), NPT 1/2 | |
| Explosion Proof | <input type="checkbox"/> Ex dm IIB T5 | <input type="checkbox"/> Ex dm IIB T5(FM) |
| | <input type="checkbox"/> Ex dm IIC T5 | <input type="checkbox"/> Ex ia IIB T6 |
| | <input type="checkbox"/> Non-Explosion | |
| Air Consumption | < 3 LPM (Sup.=0.14MPa, 1.4bar) | |
| Flow Capacity | > 80 LPM (Sup.=0.14MPa, 1.4bar) | |
| Protection | IP66 | |
| Weight | 2.7kg (6.1lb) | |
| Lever Type | <input type="checkbox"/> M6 | <input type="checkbox"/> L=34 |
| | <input type="checkbox"/> M8 | <input type="checkbox"/> L=63 |
| Material | ALUMINUM DIECASTING | |

SPECIFICATIONS (YT-870)

| | | | |
|----------------------|----------------------------|---------------------------|---|
| Model | YT-870M | | |
| Limit Switch | Switch Type | Mechanical Switch(2*SPDT) | |
| | | SS5GL (Omron) | |
| | Switch Rating | AC | 250V 3A, 125V 5A |
| | | DC | 250V 0.2A, 125V 0.4A, 30VDC 4A, 14VDC 5A, 8VDC 5A |
| Terminal | 8 Point | | |
| Enclosure Protection | Weather proof. IP67 | | |
| Explosion Proof | Ex d IIC T6 | | |
| Ambient Temp. | -20°C ~ 80°C | | |
| Conduit Entry | 2 - 1/2(NPT, PT, PF) | | |
| | 3/4(NPT, PT, PF), M20*1.5P | | |
| Material | Aluminum Diecasting | | |
| Weight | 1.5kg (3.3lb) | | |

| NO. | PART NAME | MATERIAL | Q'TY | REMARK |
|-----|---------------------|---------------|------|-------------------|
| 7 | BRACKET BLOCK | AL | 1 | |
| 6 | ADAPTER | STS 303 | 1 | |
| 5 | PRESSURE GAUGE | STS 304 | 1 | |
| 4 | CONNECT LEVER ASS'Y | STS 303, 304P | 1 | FORK LEVER, NAMUR |
| 3 | JUNCTION BOX | ALDC12 | 1 | |
| 2 | COVER BASE | ALDC12 | 1 | |
| 1 | BODY BASE | ALDC12 | 1 | |

| | | | | |
|-------------------------------------|-------------------|----------------------------------|-----------|-------------------------------------|
| SURFACE TEXTURE | PRODUCT NAME | E/P POSITIONER with LS(EXTERNAL) | | YOUNG TECH CO., LTD. SEUL, KOREA |
| FINISH TREATMENT | MODEL | YT-1000R + YT-870 | | |
| MATERIAL | PROJECTION | 3rd | SCALE | 1 / 3 |
| OTHERWISE NOTE | GENERAL TOLERANCE | QUANTITY | SHEET No. | 1 / 1 |
| | | 1 | | |
| DRAWING NO. YT-1000R+L/S (EXTERNAL) | | | | REV. 2 |