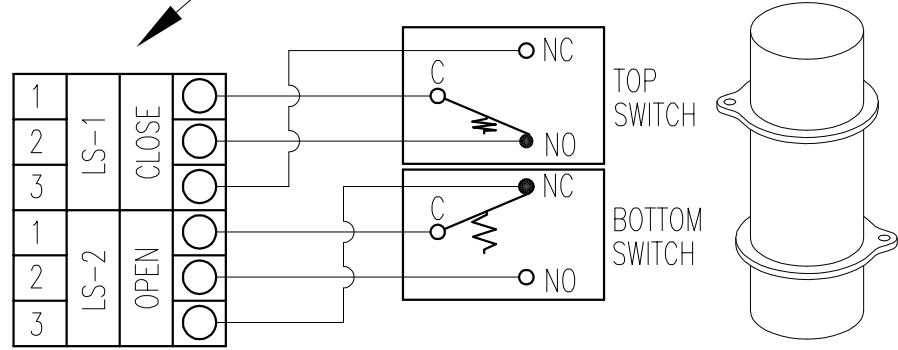
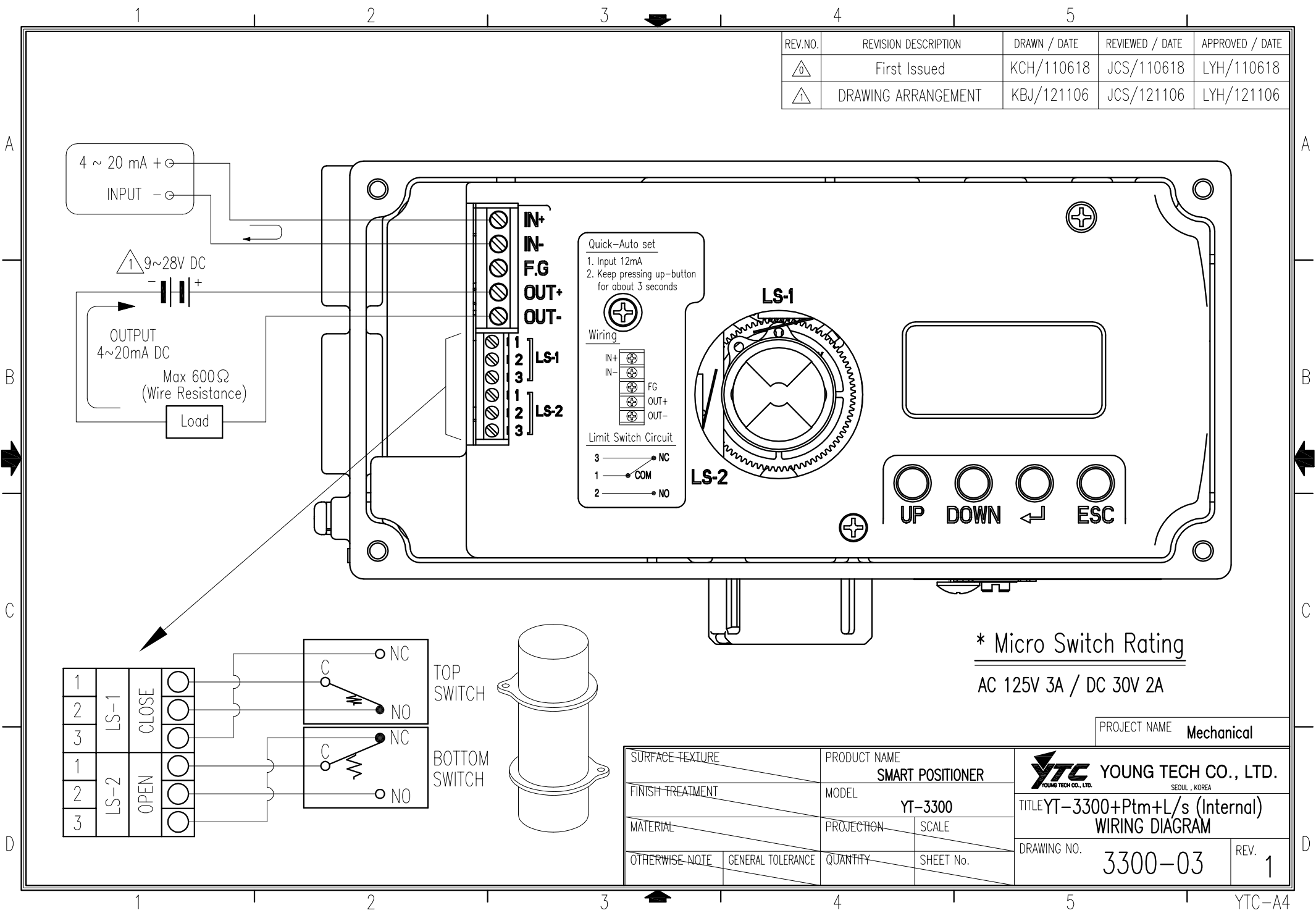



REV.NO.	REVISION DESCRIPTION	DRAWN / DATE	REVIEWED / DATE	APPROVED / DATE
△0	First Issued	KCH/110618	JCS/110618	LYH/110618
△1	DRAWING ARRANGEMENT	KBJ/121106	JCS/121106	LYH/121106



\* Micro Switch Rating  
AC 125V 3A / DC 30V 2A

PROJECT NAME **Mechanical**

SURFACE TEXTURE		PRODUCT NAME <b>SMART POSITIONER</b>		 <b>YOUNG TECH CO., LTD.</b> <small>SEOUL, KOREA</small>	
FINISH TREATMENT		MODEL <b>YT-3300</b>			
MATERIAL		PROJECTION	SCALE	TITLE <b>YT-3300+Ptm+L/s (Internal)</b> <b>WIRING DIAGRAM</b>	
OTHERWISE NOTE	GENERAL TOLERANCE	QUANTITY	SHEET No.	DRAWING NO. <b>3300-03</b>	REV. <b>1</b>