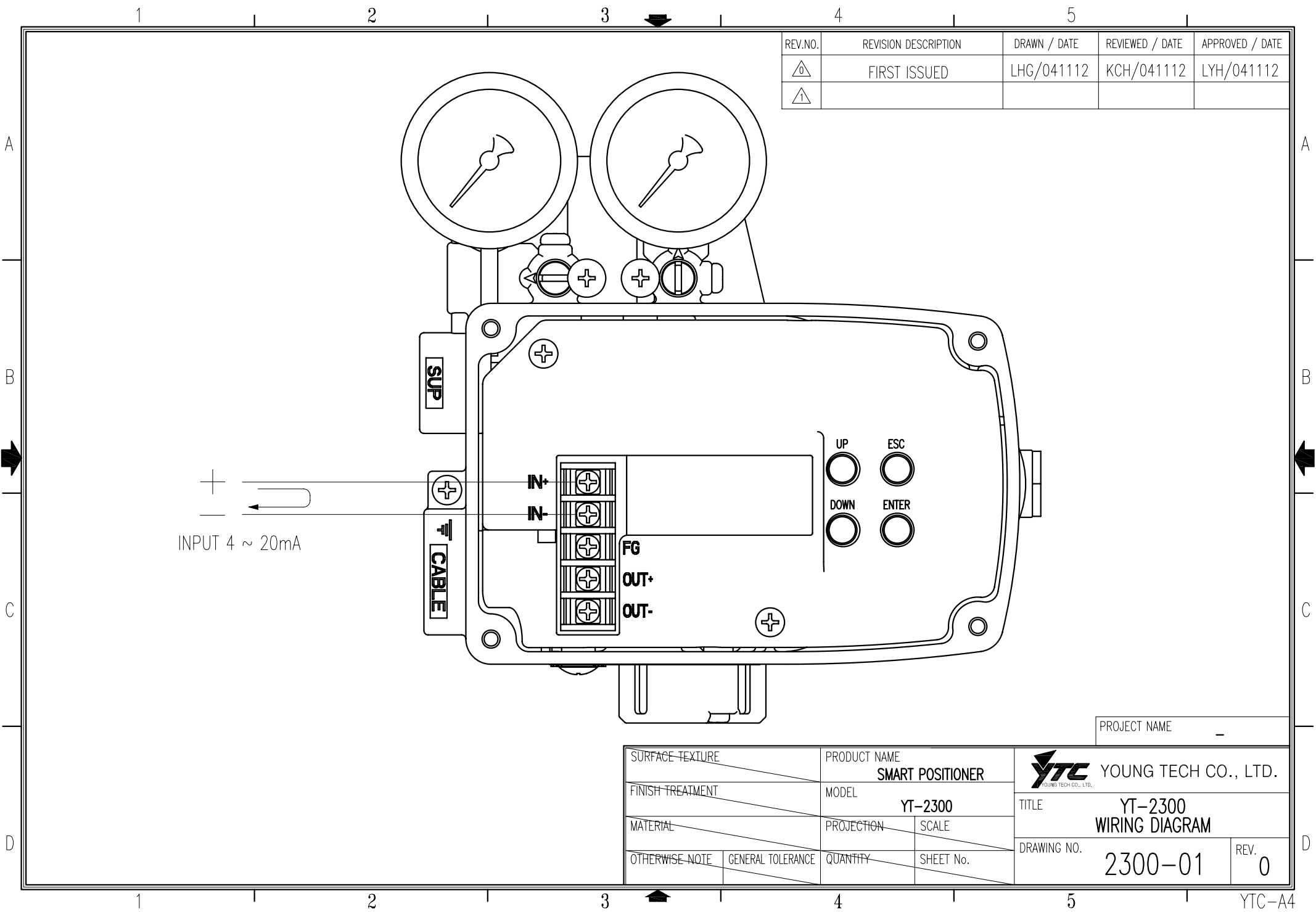



REV.NO.	REVISION DESCRIPTION	DRAWN / DATE	REVIEWED / DATE	APPROVED / DATE
△0	FIRST ISSUED	LHG/041112	KCH/041112	LYH/041112
△1				



PROJECT NAME -

SURFACE TEXTURE		PRODUCT NAME SMART POSITIONER		 YOUNG TECH CO., LTD.	
FINISH TREATMENT		MODEL YT-2300			
MATERIAL		PROJECTION	SCALE	TITLE YT-2300 WIRING DIAGRAM	
OTHERWISE NOTE	GENERAL TOLERANCE	QUANTITY	SHEET No.	DRAWING NO. 2300-01	REV. 0