

Installation

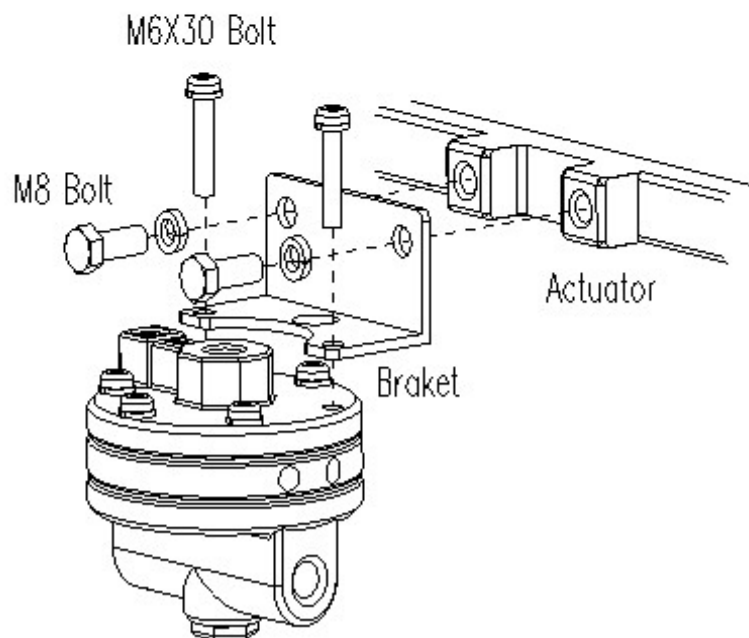
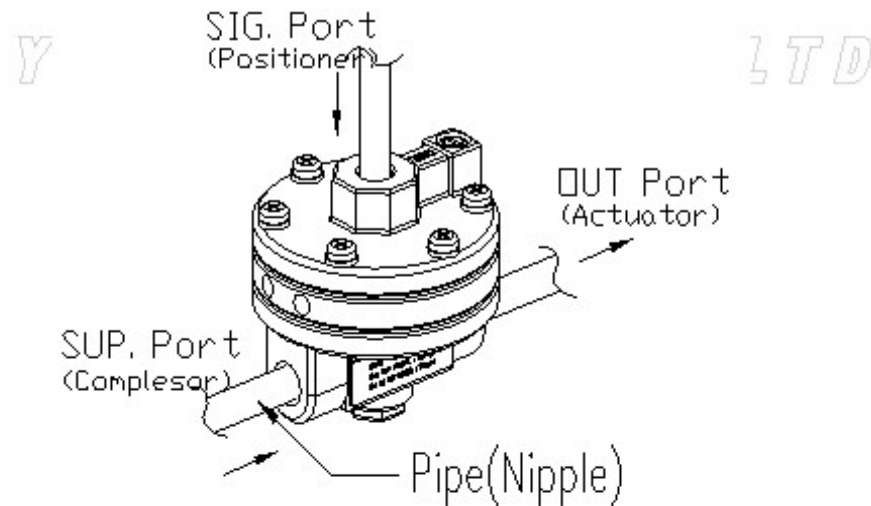
- **CAUTION**

When installing the product, please follow procedures.

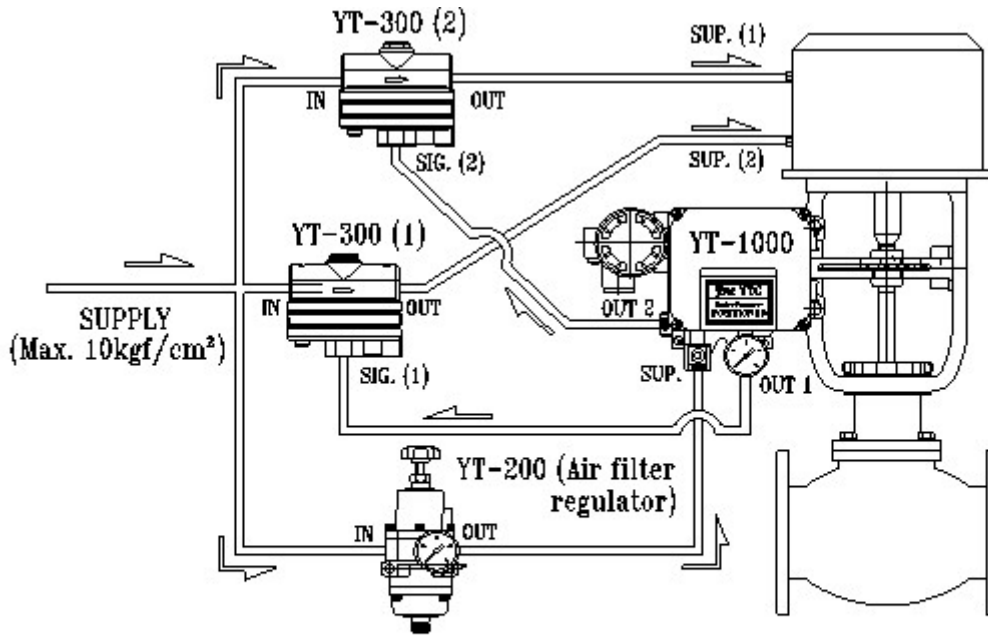
- ① Always wear safety equipments and follow safety procedures.
- ② Compressed gas can be exploded and damage the body/parts or surrounding structure, if the product's maximum specification exceeded. Please check the product's specification before installing. Also, in order to minimize the damage, in case of accident, please make sure all of the compressed / pressurized input lines by-passed.
- ③ For maintenance, please stop volume booster's operation timely basis.
- ④ Air must be clean, dry, and not corrosive gas which must be passed through the filter.
- ⑤ Inflow air will be exhausted through the exhaust port which located on the side of the volume booster.
- ⑥ Please check exhaust port for substances or obstacles. Also, make sure not to leave volume booster in sealed places.
- ⑦ It is recommended to use appropriate capacity of air filter regulator.

Install Layout

YT-300 should be installed between actuator, positioner, and supply pipes, and can be installed without a bracket which can be supported only by air pressure pipes. Before connecting pipes, please make sure the inside of pipes is clear, and the size of the pipe are relevant to the capacity. If the booster must be mounted on a bracket, the bracket must be made according to the outer dimension on the previous page.

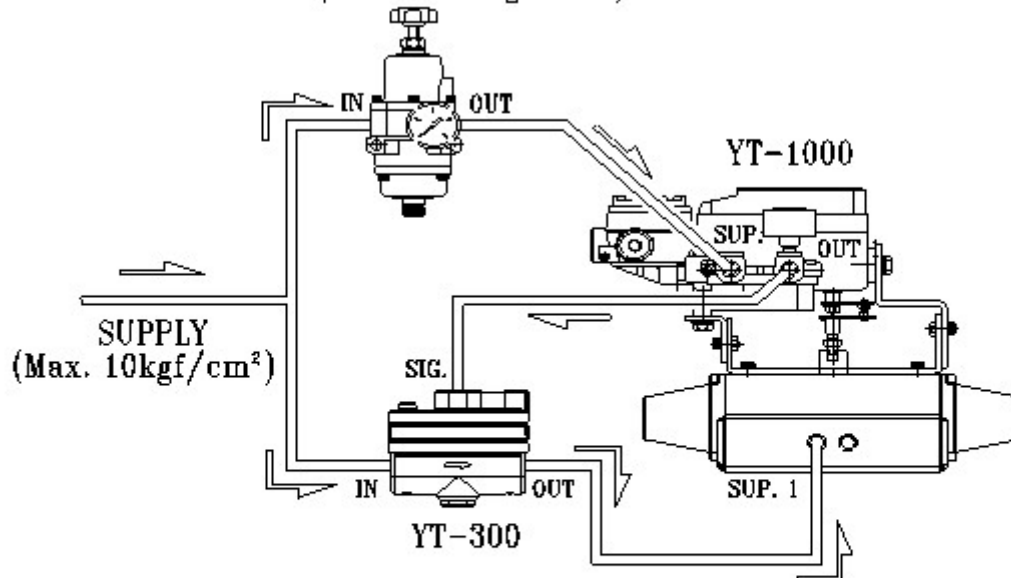


Install Example



LINEAR ACTUATOR TYPE

YT-200 (Air filter regulator)



ROTARY ACTUATOR TYPE